

DOUBLE WALL AIR

DPAC

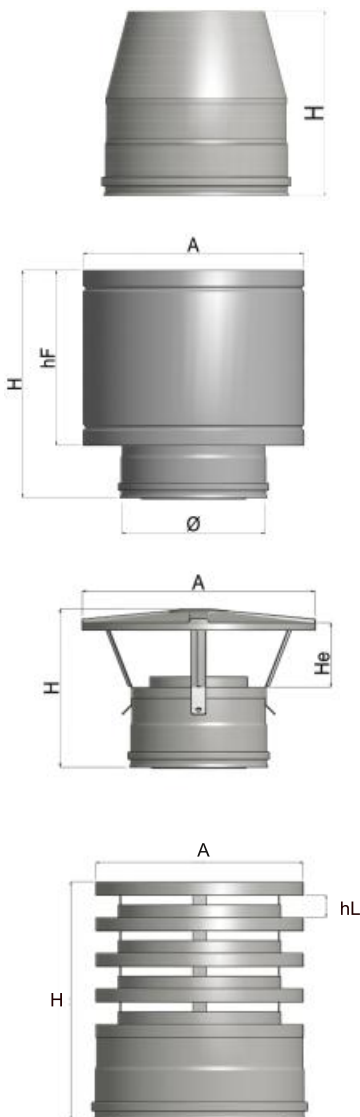
Chimney cap specific for air insulation
flue pipes inox-inox or PPs 10mm.

Installation instructions:

Install on the terminal part of the chimney flue. Fix by means of a flue clamp. Do not use a silicon sealant only. Installation of the chimney cap must be carried out by qualified personnel.

Conforms to UNI 7129/01 sez. 4-3-3 regulations regarding chimney caps.

EC Certifications in conformity with EN 1856-1 / EN 1856-2:
- Resistance to flow.



double wall air - **Art. 1800 DPAC**

ø	80/100	100/120	130/150	160/180	180/200	200/220	230/250
H	200	200	200	200	200	200	200

double wall air - **Art. 1270 DPAC**

ø	80/100	100/120	130/150	160/180	180/200	200/220	230/250
H	240	240	260	280	320	340	340
A	185	220	260	300	310	370	420
hF	165	165	200	200	250	250	250

double wall air - **Art. 1250 DPAC**

ø	80/100	100/120	130/150	160/180	180/200	200/220	230/250
H	205	205	210	225	235	250	260
A	230	265	265	320	320	400	400
He	70	70	75	90	100	115	125

double wall air - **Art. 1300 DPAC**

ø	80/100	100/120	130/150	160/180	180/200	200/220	230/250
H	180	215	220	230	270	270	310
A	130	150	180	230	230	250	300
hL	20	20	22	25	25	25	25
N° elements	3	4	4	4	5	5	6